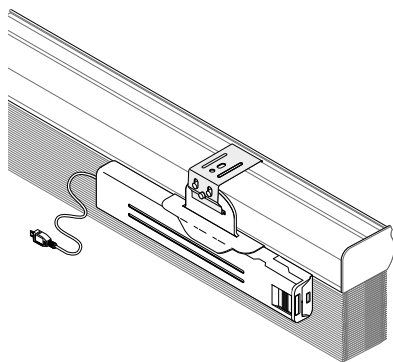
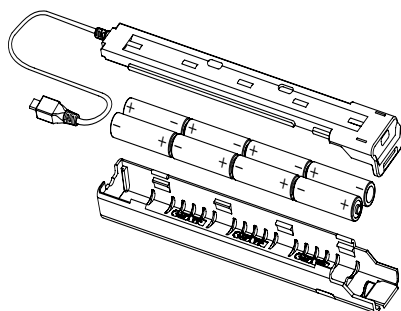


# Options

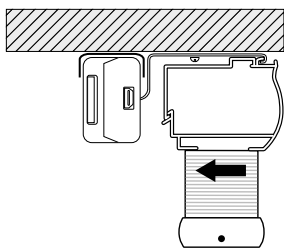
## Virtual Cord™ Power Considerations



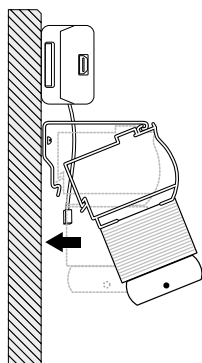
Cellular and Pleated  
Battery Consideration



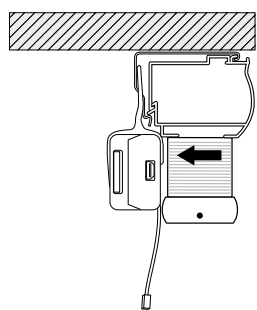
Battery Case



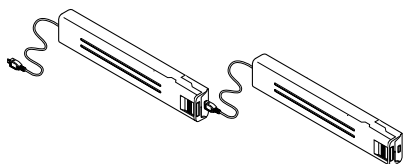
Ceiling/Inside Mount



Outside Mount



Inside Mount



Dual Battery Cases

Motors can be powered by batteries, plug-in transformer, or multi-motor power supply. Each shade requires a motor and appropriate power source.

### Power Considerations

Larger shades consume more power while operating. When choosing the appropriate power source based upon the shade size we recommend the following power sources for the best performance.

Shade Size square inches (cm <sup>2</sup> )	Recommended Power Source
0 to 3,600 (0 to 23,225.8)	Batteries (single or dual), plug-in, or multi-motor power supply
3,600 to 7,200 (23,225.8 to 46,451.5)	Dual battery cases, plug-in, or multi-motor power supply
7,200 (46,451.5)	Plug-in or multi-motor power supply only

Dual battery cases are recommended for larger shades (over 3,600 square inches (23,225.8 cm<sup>2</sup>)) to extend battery life.

Transformer power is recommended for larger shades (over 7,200 square inches (46,451.5 cm<sup>2</sup>)) to provide the best experience with regular shade operation.

### Battery Case Considerations

**Battery power recommended for maximum of 10 shades for best battery performance.**

Battery cases are installed in space outside of the product and can be a challenge to hide in some windows.

#### For Inside Mounts

- The cleanest and simplest method available for cellular and pleated shades is the integrated battery case hanger; this hanger attaches directly to a shade bracket to support the battery case while allowing the case to be removed for battery changes; additional recessed space will be needed

#### For Outside Mounts

- For outside mounts, battery cases can be installed above or to the side of the shade

**NOTE:** For best performance, use only AA lithium batteries.

Battery case dimensions:

9¼" (23.5 cm) x  
1¼" (3.2 cm) x 7⁄8" (2.3 cm)

Dual battery cases installed end-to-end:

require 21" (53.4 cm) of space  
(including connectors)

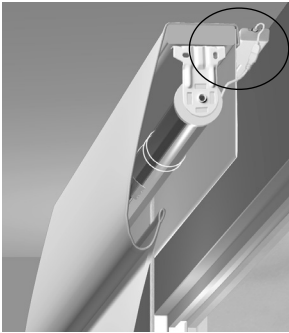
Battery case minimum recessed space  
(installed with bracket):

product minimum recessed space  
+ ¾" (2.0 cm)

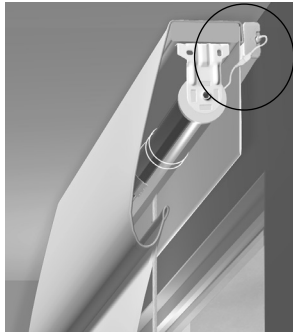
# Options

## Virtual Cord™ Power Considerations

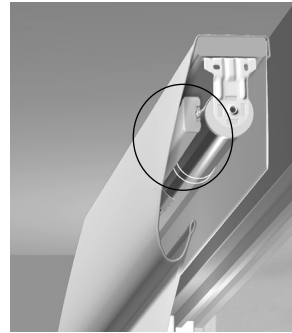
### Soft



Soft/Natural Shades  
Battery Case  
Mounted Behind



### Shade Battery Considerations



Soft/Natural Shades  
Battery Case  
Mounted on Headrail

**Transformer power recommended for shade systems of any quantity.**

### DC Plug-in Transformer Considerations

**A power outlet must be within cord length to power motor.**

Transformer includes 72" (182.9 cm) power cord and a 96" (243.9 cm) extension cable (power cord and extension cord cannot be cut to length or trimmed).

**A transformer is recommended on all shades over 7,200 square inches (46,451.5 cm<sup>2</sup>).**

Transformer dimensions

4" (10.2 cm) wide x 2" (5.1 cm) deep (not including plug) x 1½" (3.9 cm) tall (as you look at the plug in the outlet).

**NOTE:** Due to the many variations of installations, wire management components are not included with your motorized shade system. There are numerous wire management products available at your local hardware store or home improvement center to help disguise the power cord when using a plug-in transformer. An example of a popular wire management accessory, is wire channel. Wire channel is a vinyl sheathing that can be placed along the window casing or wall that will house and conceal exposed wiring for a clean and professional appearance.

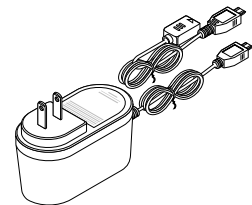
### Multi-Motor Power Supply Considerations

Transformer enclosure is generally mounted in an accessible indoor location such as a basement, utility closet, or garage. Motors are "home run" wired to the panel using 16 gauge wire.

**12 Volt:** 10-motor power supply available for all Graber® products and includes connectors.

**Dimensions:** 12" (30.5 cm) wide x 6" (15.3 cm) deep x 12" (30.5 cm) high.

**CAUTION:** A licensed electrician is required for all line voltage electrical connections. All local and NEC codes must be followed.



DC Plug-In Transformer

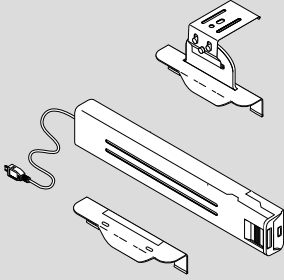


Multi-Motor Power Supply

# Options

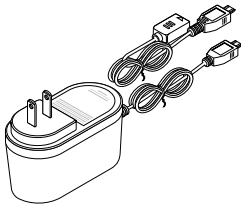
## Virtual Cord™ Power Components

**NOTE:** These power supplies are not compatible with Somfy® RTS motors.



### Battery Case

- Reloadable: available with or without batteries
- Multiple mounting options provided
- Simple case design allows for easy battery replacement
- Recommend shades greater than 3,600 square inches (23,225.8 cm<sup>2</sup>) utilize two single battery cases (dual cases) to extend battery life
- Shades exceeding 7,200 square inches (46,451.5 cm<sup>2</sup>) we recommend a plug-in transformer
- For best performance, use only AA lithium batteries (each case requires 8 AA lithium batteries)
- 48" (122.0 cm) and 96" (243.9 cm) extensions available, maximum of 2 per motor
- Battery power recommended for maximum of 10 shades for best battery performance



### Plug-In Transformer

- Eliminates the need for batteries
- Small plug profile
- Cord can be concealed behind curtains or along trim
- 72" (182.9 cm) power cord and 96" (243.9 cm) extension cable (power cord and extension cable cannot be cut to length)
- 48" (122.0 cm) and 96" (243.9 cm) extensions available, maximum of 2 per motor
- We recommend shades greater than 7,200 square inches (46,451.5 cm<sup>2</sup>) utilize a transformer to eliminate changing batteries frequently
- Available in White only

### Transformer Dimensions

- 4" (10.2 cm) wide x 2" (5.1 cm) deep (not including plug) x 1½" (3.8 cm) tall (as you look at the plug in the outlet)
- Wire management components are not included with your motorized shade system
  - Refer to 12 volt power considerations for further details



### Multi-Motor Power Supply

- Used when direct wiring the motorized window coverings
- Each motor is "home run" wired back to the multi-motor power supply using 16 gauge 2 conductor wire (must be purchased locally; Graber® does not supply)
- Power supply includes connectors
- Must be mounted indoors, NEMA rated
- Dimensions: 12" (30.5 cm) wide x 6" (15.3 cm) deep x 12" (30.5 cm) high
- 120 volt AC 3.3 amps

### 12 Volt Motors

- All Graber low voltage: up to 10 motors per power supply