

TASK: Vertical-Cellular Realignment of Side Rails and Material

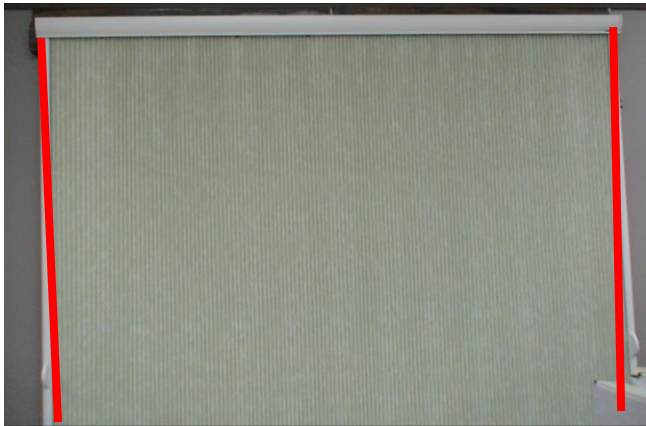
Use If/When: The side rails and material are kicking out into the room or back towards the window or if the side rails do not hang perpendicular.

Tools Needed: 9/64" Allen wrench

Example of the side rails and material kicking into the room away from the wall – proceed to steps 1 – 6.

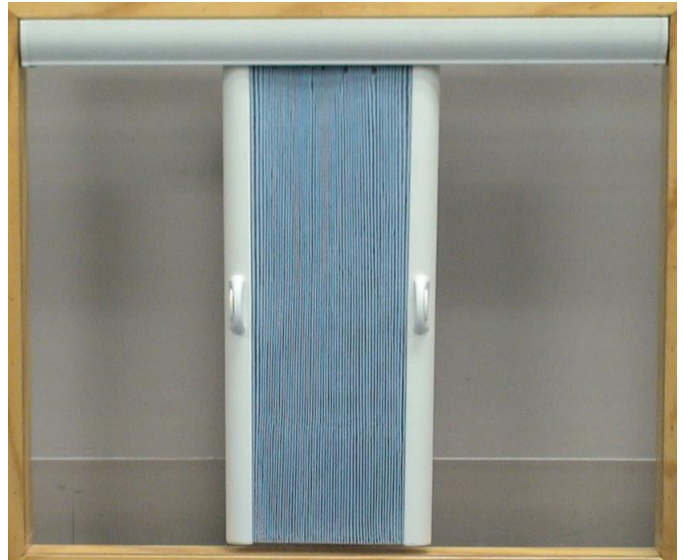


Example of side rails that do not hang perpendicular – proceed to steps 7 – 8.



1. Stack the shade to the center of the headrail by pressing and holding the button on each side rail while moving the sides into the middle.

Note: For patio doors, move stack to the side that the door opening is on.



TASK: Vertical-Cellular Realignment of Side Rails and Material

Use If/When: The side rails and material are kicking out into the room or back towards the window or if the side rails do not hang perpendicular.

Tools Needed: 9/64" Allen wrench

2. If the shade is kicking out into the room, push the side rails back towards the window until the side rails align straight up and down.



3. If the shade is kicking back towards the window, pull the side rails out toward the room until the side rails align straight up and down.



4. If there is not enough depth in your window casing to align the side rails, remove the shade from the installation brackets by pressing up on the plastic release tab on the bottom of the bracket.



5. Lay shade on clean floor. The headrail will pivot back in place with the side rails. If the headrail does not pivot, push the top of the headrail towards the floor.



TASK: Vertical-Cellular Realignment of Side Rails and Material

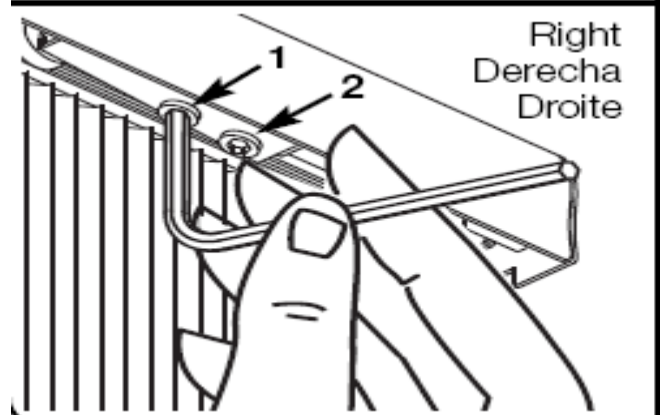
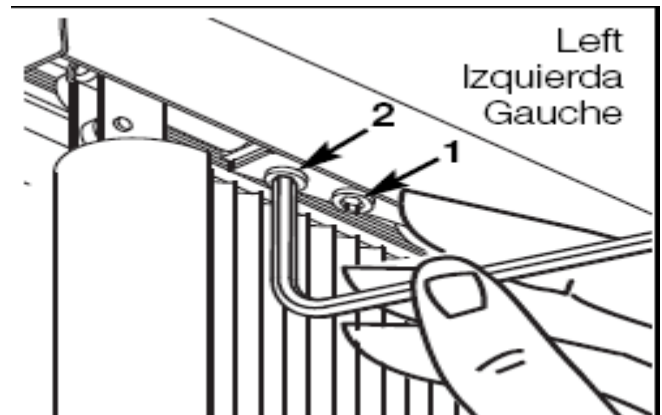
Use If/When: The side rails and material are kicking out into the room or back towards the window or if the side rails do not hang perpendicular.

Tools Needed: 9/64" Allen wrench

6. Install shade back into the installation brackets.



7. To adjust side rails that are angling inward at the bottom, open shade fully (window covered). With a 9/64" allen wrench, loosen screw #2 (outside screw) **one turn** and tighten screw #1 (inside screw) **one turn**. Repeat as needed.



TASK: Vertical-Cellular Realignment of Side Rails and Material

Use If/When: The side rails and material are kicking out into the room or back towards the window or if the side rails do not hang perpendicular.

Tools Needed: 9/64" Allen wrench

8. To adjust side rails that are angling outward at the bottom, open shade fully (window covered). With a 9/64" allen wrench, loosen screw #1 (inside screw) **one turn** and tighten screw #2 (outside screw) **one turn**. Repeat as needed.

